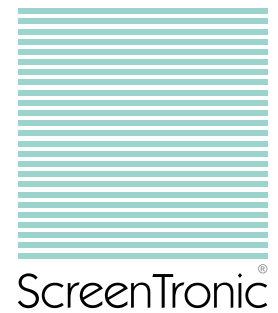


ST3134

KNX Blind Actuator SC 4-fold



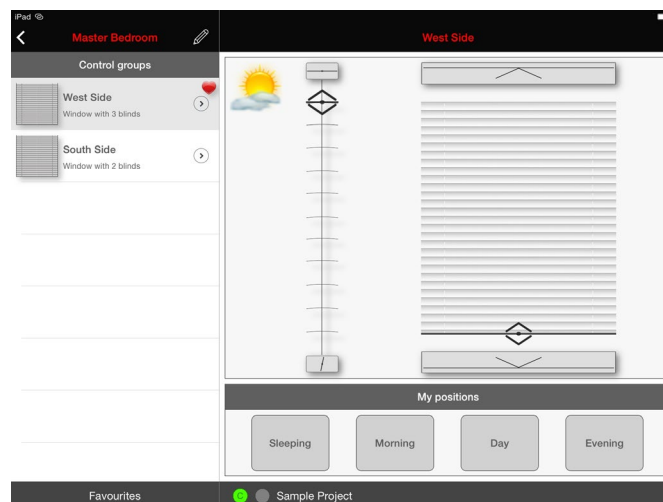
The KNX Blind Actuator SC is specially designed for the control of blinds in insulating glass or for applications with high demands on precise control.

The Actuator is specific for the control of 24V SC brushless motors via a 3-pole wire. Every output is for connection of a single blind, which gets the power through 2 wires and is controlled very exactly with the 3rd wire (communication).

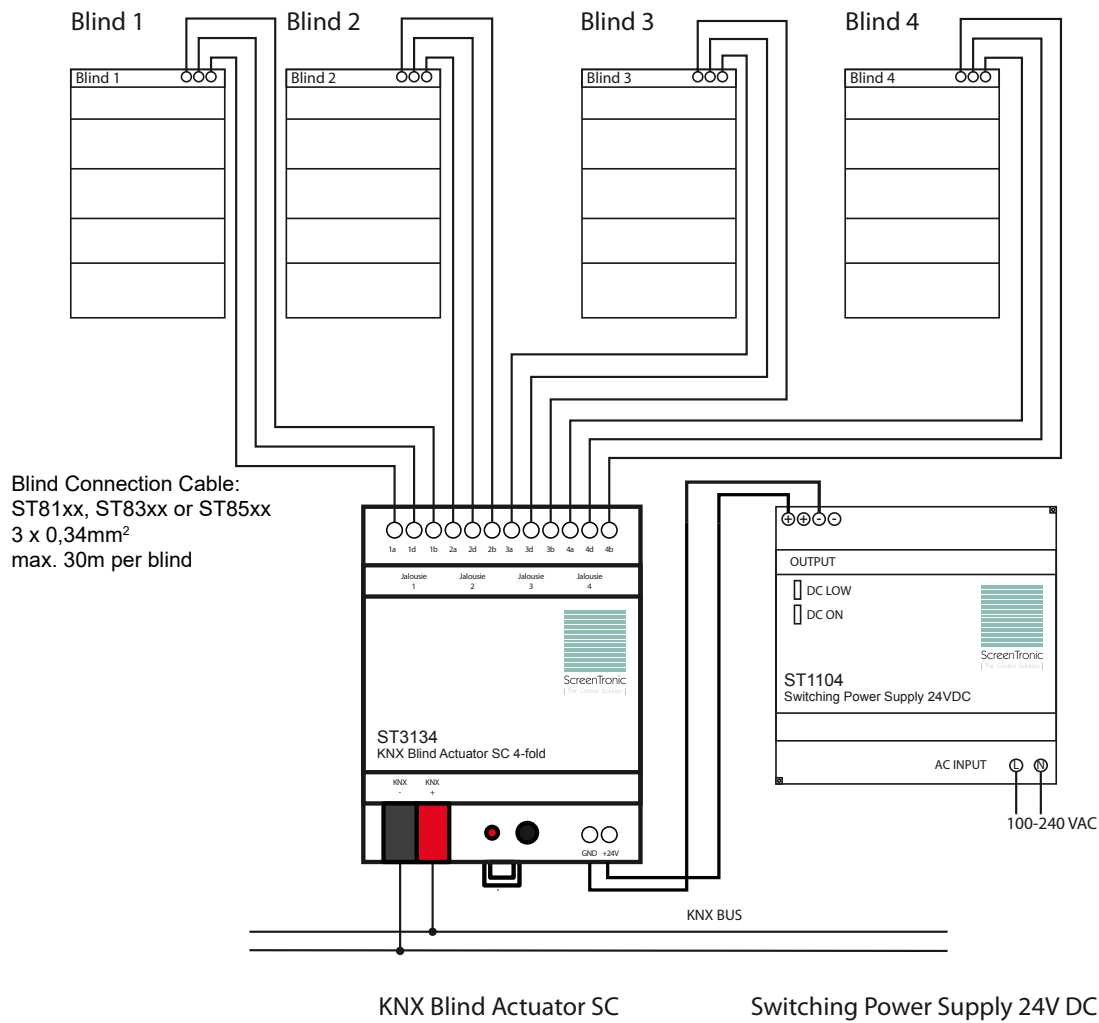
The signals from KNX switches (local or central) and/or a KNX weather station are transmitted via the KNX bus cable to the actuator. The control commands (up/down, tilt/stop, positioning and feedback) are available for each blind individually. A precise position control and feedback allows perfect sun tracking and integration into building management systems.

Technical Features

- Blind Control Interface SC (3 pole) for 4 blinds
- Operating modes:
 - Venetian blind
 - Venetian blind tilt only
 - Roller blind
- Central automatic control objects (deactivatable through local control)
- Position control and feedback (for sun tracking)



ST3134 KNX Blind Actuator SC 4-fold



Connection-No.	Description	Comments	
1	Blind 1 - GND (-)	Blind 1	black
2	Blind 1 - Data (D)		white
3	Blind 1 - 24V (+)		red
4	Blind 2 - GND (-)	Blind 2	black
5	Blind 2 - Data (D)		white
6	Blind 2 - 24V (+)		red
7	Blind 3 - GND (-)	Blind 3	black
8	Blind 3 - Data (D)		white
9	Blind 3 - 24V (+)		red
10	Blind 4 - GND (-)	Blind 4	black
11	Blind 4 - Data (D)		white
12	Blind 4 - 24V (+)		red
13	KNX -	KNX Connection	
14	KNX +		
15	GND	Power Supply 24V DC	
16	24V DC		

Dimensions	Designation	Order number
DIN rail 4 modules	KNX Blind Actuator SC 4-fold	ST3134
72 x 90 x 60 mm (W x H x D)		