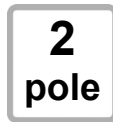


ST912x

Tappet Contact DC (2-pole)

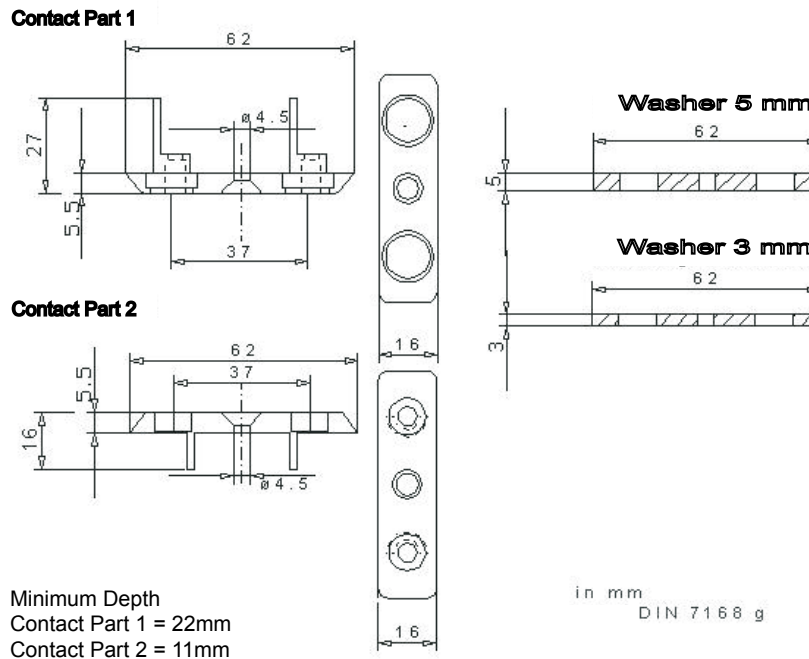


The tappet contacts ST9121 (white) and ST9122 (black) are suitable for transmission of electricity to windows or doors. A permanent electrical contact stability is ensured by a strong magnet that attracts the magnetic tappets. This contacts work entirely without access ramp, which allows the contacts to close from each position and side. As a result, the contacts are qualified for both normal window, turn/tilt doors as well as for lifting/sliding doors.

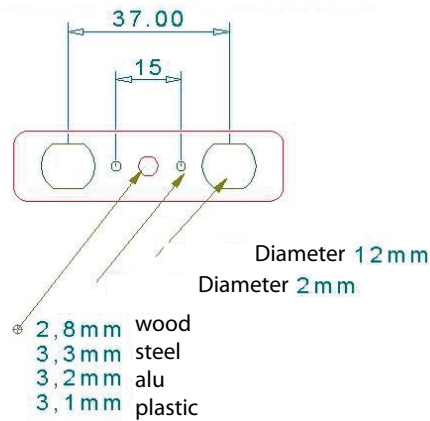
NOTE:
For the control of blinds with 3-pole connector cable SC ScreenControl use only the 3-pole version ST9131/ST9132.

Description	Order-No.
Tappet Contact DC (2-pole) white	ST9121
Tappet Contact DC (2-pole) black	ST9122

ST912x Tappet Contact DC (2-pole)



Possible holes



Technical Data

Operating Voltage	max. 30V / DC $\pm 10\%$
Switching Current	max. 1,5 A continuous load
Poles	2 pole
Operating Distance	min. 1 mm / max. 6 mm magnet \leftrightarrow tappet
Connection Terminals	Screw terminal
	max 0,5 mm ² Cross Section
Ambient Temperature	-20°C bis +80°C / 10% bis 85%rf (noncondensing)
Lifetime	about 20 000 cycles
Contact Part 1	62 x 16 x 27 mm
Depth Part 1	22 mm
Contact Part 2	62 x 16 x 16 mm
Depth Part 1	11 mm
Colour	white or black